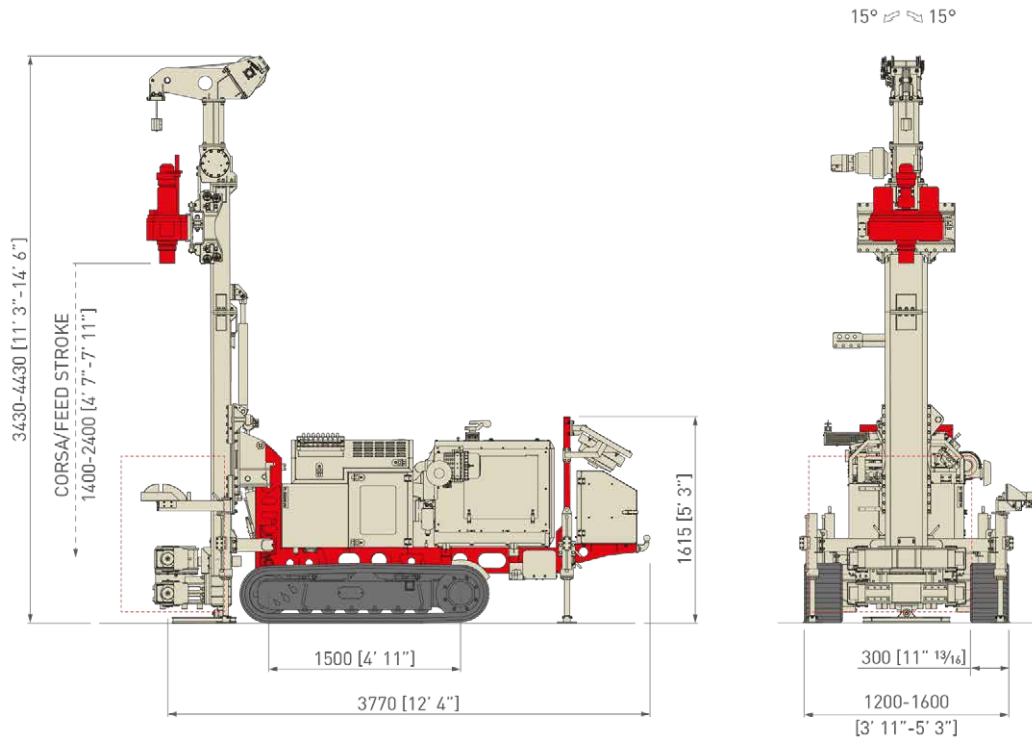




MC 4



Rotazione
Rotary Drilling



Rotopercussione
Rotary - Percussive

| | m.s. | i.s. | | |
|--------------------------------------|----------------------------------|-------|---------------|--------------------|
| Potenza Motore Engine Power | kW | HP | 55 | 74 |
| Livello Emissioni Emission Level | Stage 5 / Tier 4 final (HT Line) | | | |
| Corsa Mast Mast Feed Stroke | mm | ft | 1.400 - 2.400 | 4' 7" - 7' 10" |
| Forza di Spinta Feed Force | daN | lbs | 5.400 | 12,140 |
| Forza di Tiro Retract Force | daN | lbs | 5.400 | 12,140 |
| Coppia Rotary Rotary Torque Range | daNm | lb*ft | 450 - 1.550 | 3,319 - 11,432 |
| Giri Rotary Rotary Speed Range | rpm | | 60 - 170 | |
| Serraggio Morse Clamp Range | mm | in | 45 - 325 | 1" 3/4 - 12" 13/16 |
| Peso Weight | kg | lbs | 4.000 - 4.500 | 8,800 - 9,900 |

