

# EXPLORATION DRILLING EQUIPMENT



# CRAWLER AND TRUCK MOUNTED DRILLING RIGS DESIGNED FOR THE MINING INDUSTRY.

The **CX line** includes a **range of multipurpose crawler and truck mounted drilling** rigs designed and built for the mining industry. Bristling with technology and capability, these rigs are configured to meet the very stringent **safety requirements of the mining industry**, including an array of **hands-free rod handling systems**, developed by Comacchio to eliminate the hazards associated with manual handling and increase operational efficiency. The **CX line** rigs can be configured to perform diamond core drilling to great depths as well as **reverse circulation rotary drilling, air core and grade control**.

## APPLICATIONS



Diamond Core Drilling



Reverse Circulation



Grade Control

## INDICATIVE DRILLING CAPACITY

		* FRICTION %	CX 1010		CX 1012		CX 1515		CX 1520		CX 2020		CX 2030	
			m	ft	m	ft	m	ft	m	ft	m	ft	m	ft
DD	BQ	0*	1.400	4593'	1.700	5577'	2.400	7874'	3.000	9843'	3.000	9843'	3.000	9843'
		15*	1.200	3937'	1.450	4757'	2.050	6726'	2.700	8858'	2.700	8858'	3.000	9843'
		30*	1.000	3281'	1.200	3937'	1.750	5741'	2.400	7874'	2.400	7874'	3.000	9843'
	NQ	0*	1.100	3609'	1.350	4429'	1.850	6070'	2.500	8202'	2.500	8202'	3.500	11483'
		15*	950	3117'	1.150	3773'	1.600	5249'	2.200	7218'	2.200	7218'	3.500	11483'
		30*	800	2625'	1.000	3281'	1.400	4593'	1.900	6234'	1.900	6234'	2.800	9186'
	HQ	0*	750	2461'	900	2953'	1.250	4101'	1.700	5577'	1.700	5577'	2.550	8366'
		15*	650	2133'	800	2625'	1.100	3609'	1.500	4921'	1.500	4921'	2.300	7546'
		30*	550	1804'	700	2297'	950	3117'	1.300	4265'	1.300	4265'	2.000	6562'
	PQ	0*	550	1804'	700	2297'	900	2953'	1.200	3937'	1.200	3937'	1.850	6070'
		15*	500	1640'	600	1969'	800	2625'	1.050	3445'	1.050	3445'	1.600	5249'
		30*	400	1312'	500	1640'	650	2133'	900	2953'	900	2953'	1.400	4593'
RC/GC	4" 1/2	0*	270	886'	350	1148'	400	1312'	550	1804'	550	1804'	800	2625'
		15*	250	820'	300	984'	350	1148'	500	1640'	500	1640'	700	2297'
		30*	200	656'	250	820'	280	919'	400	1312'	400	1312'	550	1804'

Drill rods depth rating must be verified with the manufacturer as BQ capacity is shown for comparison purposes only.

The data on the table are indicative, calculated on vertical holes, which are variable and subjected to soil conditions, in hole-tools and flushing method.

# MACHINES DE FORAGE SUR CHENILLES ET SUR CAMION CONÇUES POUR L'INDUSTRIE MINIERE.

La **ligne CX** propose une gamme **complète de machines de forage sur chenilles et sur camion conçues et construites pour l'industrie minière**. Dotées de dispositifs à l'avant-garde de la technologie actuelle, ces foreuses sont configurées pour **répondre aux exigences de sécurité** très strictes de l'industrie minière, y compris une gamme de **systèmes de manipulation de tiges**, développés par Comacchio pour afin d'éliminer les risques associés à la manipulation manuelle et d'augmenter l'efficacité opérationnelle. Les machines de la **ligne CX** peuvent être configurées pour effectuer les **carottages au diamant à grandes profondeurs**, et aussi pour **le forage par circulation inverse, l'Air Core (AC)** et le **contrôle de la teneur de grade (Grade Control)**.

## APPLICATIONS



**Forage par carottage au diamant**



**Forage par circulation inverse**



**Contrôle de la teneur de grade**

## CAPACITÉ DE FORAGE INDICATIVE

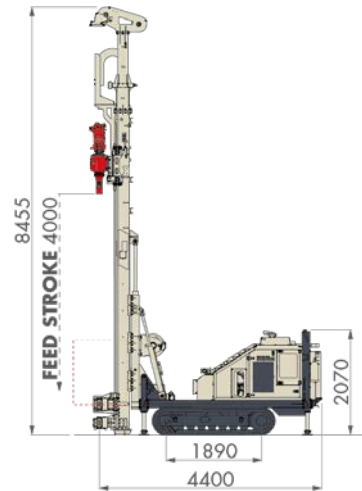
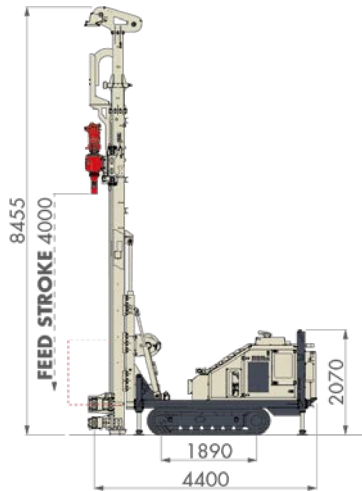
CX 2520		CX-T 10		CX-T 15		CX-T 20		CX-T 30		* FRICTION %		
m	ft	m	ft	m	ft	m	ft	m	ft			
---		<b>1.400</b>	4593'	<b>2.400</b>	7874'	<b>3.000</b>	9843'	<b>3.000</b>	9843'	0*	BQ	
---		<b>1.200</b>	3937'	<b>2.050</b>	6726'	<b>2.700</b>	8858'	<b>3.000</b>	9843'	15*		
---		<b>1.000</b>	3281'	<b>1.750</b>	5741'	<b>2.400</b>	7874'	<b>3.000</b>	9843'	30*		
---		<b>1.100</b>	3609'	<b>1.850</b>	6070'	<b>2.500</b>	8202'	<b>3.500</b>	11483'	0*	NQ	
---		<b>950</b>	3117'	<b>1.600</b>	5249'	<b>2.200</b>	7218'	<b>3.500</b>	11483'	15*		
---		<b>800</b>	2625'	<b>1.400</b>	4593'	<b>1.900</b>	6234'	<b>2.800</b>	9186'	30*		
---		<b>750</b>	2461'	<b>1.250</b>	4101'	<b>1.700</b>	5577'	<b>2.550</b>	8366'	0*	HQ	
---		<b>650</b>	2133'	<b>1.100</b>	3609'	<b>1.500</b>	4921'	<b>2.300</b>	7546'	15*		
---		<b>550</b>	1804'	<b>950</b>	3117'	<b>1.300</b>	4265'	<b>2.000</b>	6562'	30*		
---		<b>550</b>	1804'	<b>900</b>	2953'	<b>1.200</b>	3937'	<b>1.850</b>	6070'	0*	PQ	
---		<b>500</b>	1640'	<b>800</b>	2625'	<b>1.050</b>	3445'	<b>1.600</b>	5249'	15*		
---		<b>400</b>	1312'	<b>650</b>	2133'	<b>900</b>	2953'	<b>1.400</b>	4593'	30*		
<b>550</b>	1804'	<b>270</b>	886'	<b>400</b>	1312'	<b>550</b>	1804'	<b>800</b>	2625'	0*	4" 1/2	RC/GC
<b>500</b>	1640'	<b>250</b>	820'	<b>350</b>	1148'	<b>500</b>	1640'	<b>700</b>	2297'	15*		
<b>400</b>	1312'	<b>200</b>	656'	<b>280</b>	919'	<b>400</b>	1312'	<b>550</b>	1804'	30*		

La profondeur de forage doit être vérifiée avec le fabricant car la capacité BQ est indiquée à des fins de comparaison uniquement.

Les données du tableau sont indicatives, calculées sur des trous verticaux, qui sont variables en fonction des conditions du sol, des outils de forage et des fluides de forage.

# CX 1010

# CX 1012



			m.s.	i.s.		
<b>Engine Power</b> <i>Puissance Moteur</i>	<b>115 - 119</b>	154 - 160	<b>kW</b>	HP	<b>115 - 119</b>	154 - 160
<b>Emission Level</b> <i>Norme d'Émissions</i>	Stage 3A/Tier 3 - <b>Stage 5 / Tier 4f (HT Line)</b>		-		Stage 3A/Tier 3 - <b>Stage 5 / Tier 4f (HT Line)</b>	
<b>Feed Stroke</b> <i>Course Utile</i>	<b>4.000</b>	13' 1"	<b>mm</b>	ft-in	<b>4.000</b>	13' 1"
<b>Feed Force</b> <i>Force de Poussée</i>	<b>6.500</b>	14,612	<b>daN</b>	lbs	<b>6.500</b>	14,612
<b>Retract Force</b> <i>Force de Traction</i>	<b>9.500</b>	21,356	<b>daN</b>	lbs	<b>12.000</b>	26,977
<b>Weight</b> <i>Poids</i>	<b>9,5 - 11,5</b>		<b>ton</b>		<b>10 - 12,5</b>	

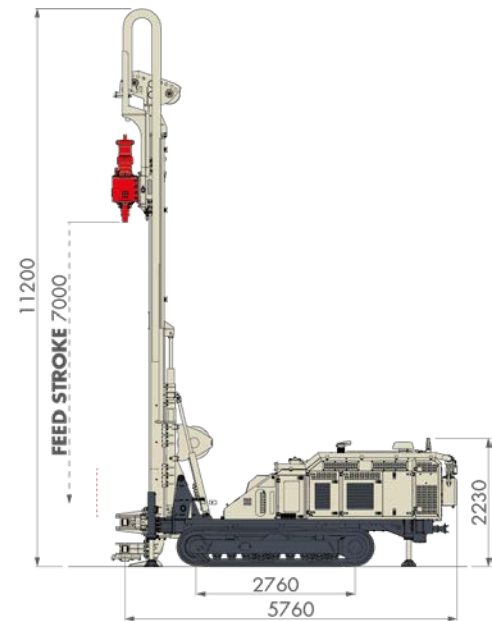
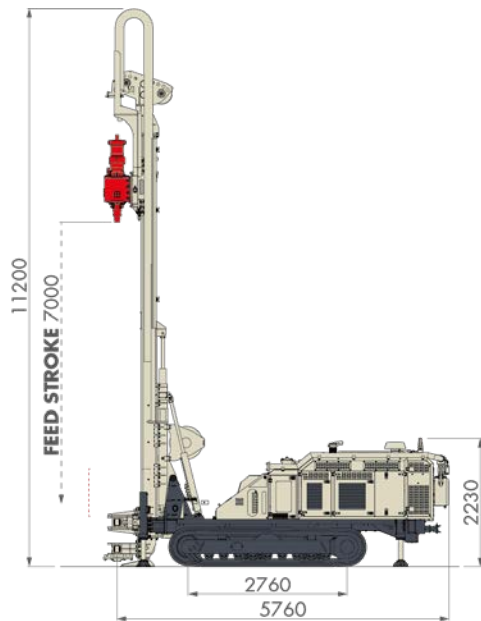
	<b>DD</b>	<b>RC</b>	m.s.	i.s.	<b>DD</b>	<b>RC</b>
<b>Rotary Torque Range</b> <i>Couple Rotative</i>	<b>2.300 - 8.350</b> 1,696 - 6,159	<b>11.000 - 13.000</b> 8,113 - 9,588	<b>Nm</b>	lb*ft	<b>2.300 - 8.350</b> 1,696 - 6,159	<b>11.000 - 13.000</b> 8,113 - 9,588
<b>Rotary Speed Range</b> <i>Vitesse Rotative</i>	<b>980 - 1.500</b>	<b>220 - 290</b>	<b>rpm</b>		<b>980 - 1.500</b>	<b>220 - 290</b>
<b>Clamp Range</b> <i>Diam. Tige min/max</i>	<b>55 - 124</b> 2" 3/16 - 4" 7/8	<b>45 - 320</b> 1" 3/4 - 12" 5/8	<b>mm</b>	in	<b>55 - 124</b> 2" 3/16 - 4" 7/8	<b>45 - 320</b> 1" 3/4 - 12" 5/8
<b>Fluid Circulation Pump</b> <i>Pompe de Circulation de Fluide</i>	<b>200</b> 52.8	-	<b>l/min.</b>	gal/min.	<b>200</b> 52.8	-
<b>Wire-line winch</b> <i>Treuil Wire-line</i>	<b>1.250</b> 4,101	-	<b>mm</b>	ft	<b>1.250</b> 4,101	-





# CX 1515

# CX 1520



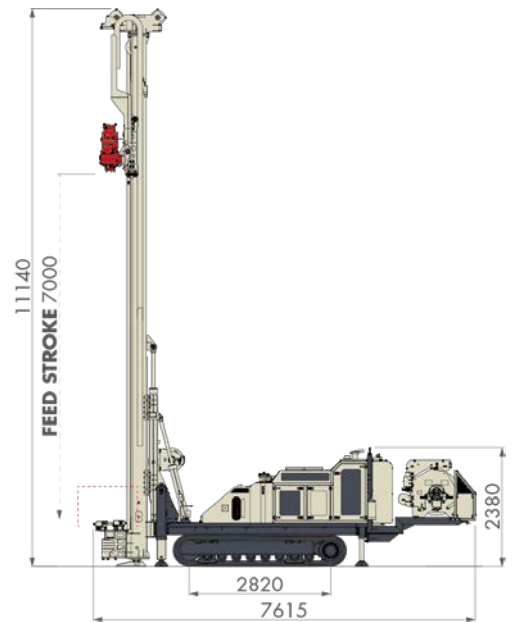
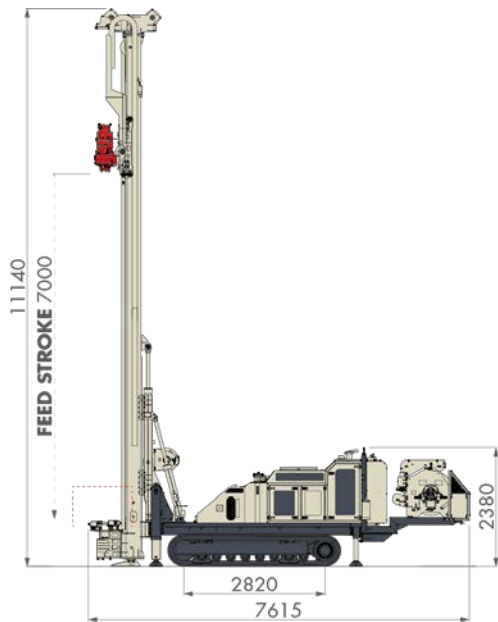
			m.s.	i.s.		
<b>Engine Power</b> <i>Puissance Moteur</i>	<b>126 - 160</b>	169 - 214	<b>kW</b>	HP	<b>126 - 160</b>	169 - 214
<b>Emission Level</b> <i>Norme d'Émissions</i>	Stage 3A/Tier 3 - <b>Stage 5 / Tier 4f (HT Line)</b>		-		Stage 3A/Tier 3 - <b>Stage 5 / Tier 4f (HT Line)</b>	
<b>Feed Stroke</b> <i>Course Utile</i>	<b>4.000 - 7.000</b>	13' 1" - 22' 12"	<b>mm</b>	ft-in	<b>4.000 - 7.000</b>	13' 1" - 22' 12"
<b>Feed Force</b> <i>Force de Poussée</i>	<b>7.000</b>	15,736	<b>daN</b>	lbs	<b>12.000</b>	26,977
<b>Retract Force</b> <i>Force de Traction</i>	<b>15.000</b>	33,721	<b>daN</b>	lbs	<b>20.000</b>	44,961
<b>Weight</b> <i>Poids</i>	<b>15 - 17</b>		<b>ton</b>		<b>16 - 18</b>	

	<b>DD</b>	<b>RC</b>	m.s.	i.s.	<b>DD</b>	<b>RC</b>
<b>Rotary Torque Range</b> <i>Couple Rotative</i>	<b>5.365 - 13.600</b> 3,957 - 10,031	<b>11.000 - 13.600</b> 8,113 - 10,031	<b>Nm</b>	lb*ft	<b>5.365 - 13.600</b> 3,957 - 10,031	<b>11.000 - 13.600</b> 8,113 - 10,031
<b>Rotary Speed Range</b> <i>Vitesse Rotative</i>	<b>900 - 1.250</b>	<b>220 - 290</b>	<b>rpm</b>		<b>900 - 1.250</b>	<b>220 - 290</b>
<b>Clamp Range</b> <i>Diam. Tige min/max</i>	<b>55 - 124</b> 2" <sup>3</sup> / <sub>16</sub> - 4" <sup>7</sup> / <sub>8</sub>	<b>45 - 360</b> 1" <sup>3</sup> / <sub>4</sub> - 14" <sup>3</sup> / <sub>16</sub>	<b>mm</b>	in	<b>55 - 124</b> 2" <sup>3</sup> / <sub>16</sub> - 4" <sup>7</sup> / <sub>8</sub>	<b>45 - 360</b> 1" <sup>3</sup> / <sub>4</sub> - 14" <sup>3</sup> / <sub>16</sub>
<b>Fluid Circulation Pump</b> <i>Pompe de Circulation de Fluide</i>	<b>200</b> 52.8	-	<b>l/min.</b>	gal/min.	<b>200</b> 52.8	-
<b>Wire-line winch</b> <i>Treuil Wire-line</i>	<b>1.800</b> 5,905	-	<b>mm</b>	ft	<b>1.800</b> 5,905	-



# CX 2020

# CX 2030

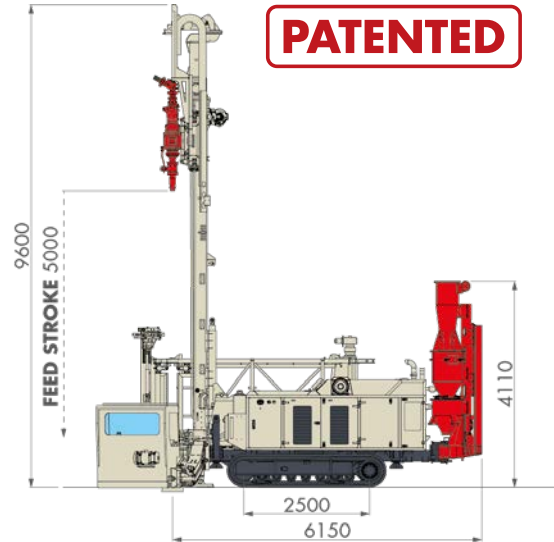


			m.s.	i.s.		
<b>Engine Power</b> <i>Puissance Moteur</i>	<b>188 - 245</b>	255 - 333	<b>kW</b>	HP	<b>188 - 245</b>	255 - 333
<b>Emission Level</b> <i>Norme d'Émissions</i>	Stage 3A/Tier 3 - <b>Stage 5 / Tier 4f (HT Line)</b>		-		Stage 3A/Tier 3 - <b>Stage 5 / Tier 4f (HT Line)</b>	
<b>Feed Stroke</b> <i>Course Utile</i>	<b>4.500 - 7.000</b>	14' 9" - 22' 12"	<b>mm</b>	ft-in	<b>4.500 - 7.000</b>	14' 9" - 22' 12"
<b>Feed Force</b> <i>Force de Poussée</i>	<b>12.000</b>	26,977	<b>daN</b>	lbs	<b>12.000</b>	26,977
<b>Retract Force</b> <i>Force de Traction</i>	<b>20.000</b>	44,961	<b>daN</b>	lbs	<b>30.000</b>	67,442
<b>Weight</b> <i>Poids</i>	<b>19 - 22</b>		<b>ton</b>		<b>19 - 22</b>	

	<b>DD</b>	<b>RC</b>	m.s.	i.s.	<b>DD</b>	<b>RC</b>
<b>Rotary Torque Range</b> <i>Couple Rotative</i>	<b>5.365 - 13.600</b> 3,957 - 10,031	<b>13.600 - 27.000</b> 10,301 - 19,914	<b>Nm</b>	lb*ft	<b>5.365 - 13.600</b> 3,957 - 10,031	<b>13.600 - 27.000</b> 10,031 - 19,914
<b>Rotary Speed Range</b> <i>Vitesse Rotative</i>	<b>900 - 1.250</b>	<b>110 - 290</b>	<b>rpm</b>		<b>900 - 1.250</b>	<b>110 - 290</b>
<b>Clamp Range</b> <i>Diam. Tige min/max</i>	<b>55 - 124</b> 2" <sup>3</sup> / <sub>16</sub> - 4" <sup>7</sup> / <sub>8</sub>	<b>45 - 360</b> 1" <sup>3</sup> / <sub>4</sub> - 14" <sup>3</sup> / <sub>16</sub>	<b>mm</b>	in	<b>55 - 124</b> 2" <sup>1</sup> / <sub>16</sub> - 4" <sup>7</sup> / <sub>8</sub>	<b>45 - 360</b> 1" <sup>3</sup> / <sub>4</sub> - 14" <sup>3</sup> / <sub>16</sub>
<b>Fluid Circulation Pump</b> <i>Pompe de Circulation de Fluide</i>	<b>200</b> 52.8	-	<b>l/min.</b>	gal/min.	<b>200</b> 52.8	-
<b>Wire-line winch</b> <i>Treuil Wire-line</i>	<b>2.600</b> 8,530	-	<b>mm</b>	ft	<b>2.600</b> 8,530	-



# CX 2520



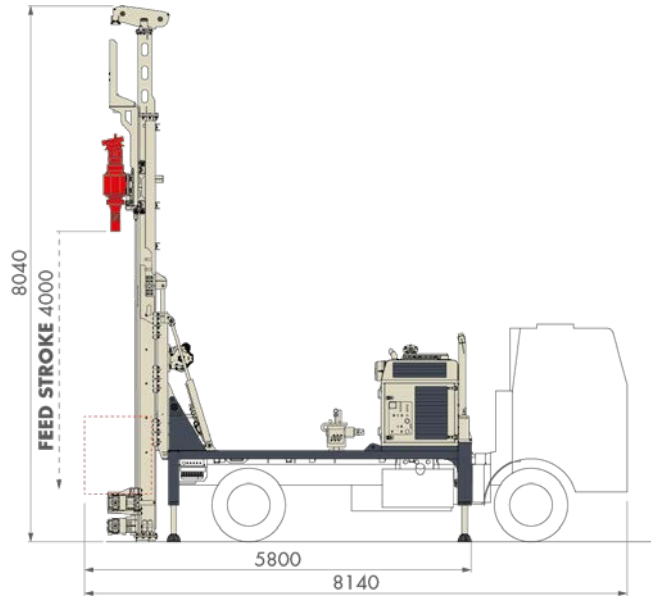
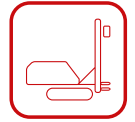
	<b>m.s.</b>	i.s.		
<b>Engine Power</b> <i>Puissance Moteur</i>	<b>kW</b>	HP	<b>147 - 160</b>	197 - 214
<b>Emission Level</b> <i>Norme d'Émissions</i>	-		Stage 3A/Tier 3 - <b>Stage 5 / Tier 4f (HT Line)</b>	
<b>Feed Stroke</b> <i>Course Utile</i>	<b>mm</b>	ft-in	<b>5.000</b>	16' 5"
<b>Feed Force</b> <i>Force de Poussée</i>	<b>daN</b>	lbs	<b>10.000</b>	22,481
<b>Retract Force</b> <i>Force de Traction</i>	<b>daN</b>	lbs	<b>20.000</b>	44,961
<b>Weight</b> <i>Poids</i>	<b>ton</b>		<b>19 - 22</b>	

	<b>m.s.</b>	i.s.	<b>GC</b>	<b>RC</b>
<b>Rotary Torque Range</b> <i>Couple Rotative</i>	<b>Nm</b>	lb*ft	<b>13.000</b> 9,588	<b>13.000</b> 9,588
<b>Rotary Speed Range</b> <i>Vitesse Rotative</i>	<b>rpm</b>		<b>220 - 290</b>	<b>220 - 290</b>
<b>Clamp Range</b> <i>Diam. Tige min/max</i>	<b>mm</b>	in	<b>85 - 200</b> 3" 3/8 - 7" 7/8	<b>85 - 200</b> 3" 3/8 - 7" 7/8
<b>Fluid Circulation Pump</b> <i>Pompe de Circulation de Fluide</i>	<b>l/min.</b>	gal/min.	-	-
<b>Wire-line winch</b> <i>Treuil Wire-line</i>	<b>m</b>	ft	-	-





# CX-T 10



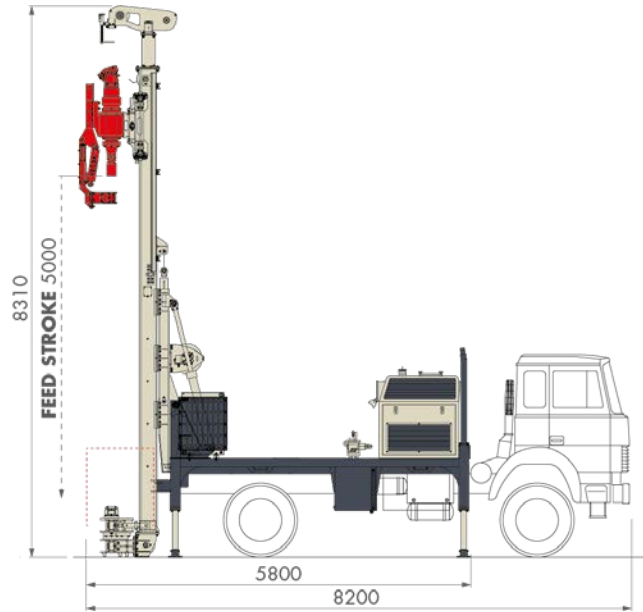
	m.s.	i.s.		
<b>Truck (axles) Camion (châssis)</b>	-	-	<b>4x4 (2)</b>	
<b>Engine Power Puissance Moteur</b>	<b>kW</b>	<b>HP</b>	<b>115 - 119</b>	154 - 160
<b>Emission Level Norme d'Émissions</b>	-	-	Stage 3A/Tier 3 - <b>Stage 4 / Tier 4f (HT Line)</b>	
<b>Feed Stroke Course Utile</b>	<b>mm</b>	<b>ft-in</b>	<b>4.000</b>	13' 1"
<b>Feed Force Force de Poussée</b>	<b>daN</b>	<b>lbs</b>	<b>6.500</b>	14,612
<b>Retract Force Force de Traction</b>	<b>daN</b>	<b>lbs</b>	<b>9.500</b>	21,356
<b>Weight Poids</b>	<b>ton</b>	-	<b>8 - 8,5</b>	

	m.s.	i.s.	<b>DD</b>	<b>RC</b>
<b>Rotary Torque Range Couple Rotative</b>	<b>Nm</b>	<b>lb*ft</b>	<b>2.300 - 8.350</b> 1,696 - 6,159	<b>11.000 - 13.000</b> 8,113 - 9,588
<b>Rotary Speed Range Vitesse Rotative</b>	<b>rpm</b>		<b>980 - 1.500</b>	<b>220 - 290</b>
<b>Clamp Range Diam. Tige min/max</b>	<b>mm</b>	<b>in</b>	<b>55 - 124</b> 2" 3/16 - 4" 7/8	<b>45 - 320</b> 1" 3/4 - 12" 5/8
<b>Fluid Circulation Pump Pompe de Circulation de Fluide</b>	<b>l/min.</b>	<b>gal/min.</b>	<b>200</b> 52.8	-
<b>Wire-line winch Treuil Wire-line</b>	<b>m</b>	<b>ft</b>	<b>1.250</b> 4,101	-
<b>On Board Compressor Compresseur à bord</b>	<b>Max. Flow</b>	<b>l/sec.</b>	<b>cfm</b>	<b>672</b> 1424
	<b>Max. Pressure</b>	<b>bar</b>	<b>psi</b>	<b>35</b> 507





# CX-T 15

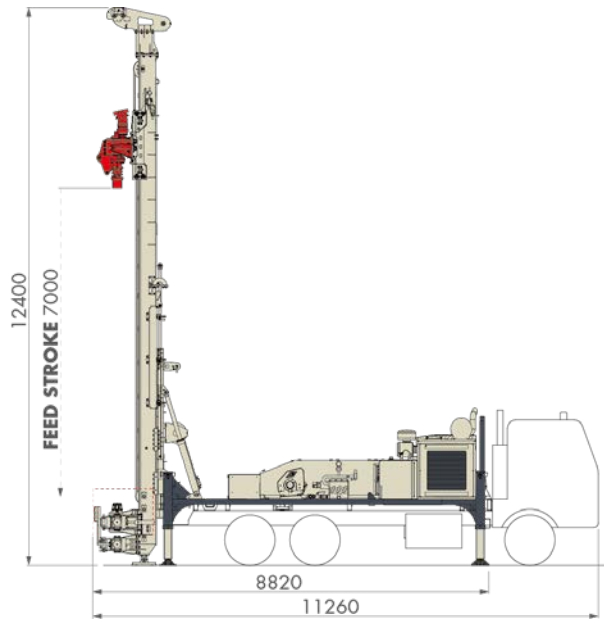


	m.s.	i.s.		
<b>Truck (axles) Camion (châssis)</b>	-	-	<b>4x4 - 6x4 - 6x6 (2/3)</b>	
<b>Engine Power Puissance Moteur</b>	<b>kW</b>	<b>HP</b>	<b>126 - 160</b>	169- 214
<b>Emission Level Norme d'Émissions</b>	-	-	Stage 3A/Tier 3 - <b>Stage 5 / Tier 4f (HT Line)</b>	
<b>Feed Stroke Course Utile</b>	<b>mm</b>	<b>ft-in</b>	<b>4.000 - 7.000</b>	13' 1" - 22' 12"
<b>Feed Force Force de Poussée</b>	<b>daN</b>	<b>lbs</b>	<b>7.000</b>	15,736
<b>Retract Force Force de Traction</b>	<b>daN</b>	<b>lbs</b>	<b>15.000</b>	33,721
<b>Weight Poids</b>	<b>ton</b>	-	<b>7,5 - 10</b>	

	m.s.	i.s.	<b>DD</b>	<b>RC</b>
<b>Rotary Torque Range Couple Rotative</b>	<b>Nm</b>	<b>lb*ft</b>	<b>5.365 - 13.600</b> 3,957 - 10,031	<b>11.000 - 13.600</b> 8,113 - 10,031
<b>Rotary Speed Range Vitesse Rotative</b>	<b>rpm</b>		<b>900 - 1.250</b>	<b>220 - 290</b>
<b>Clamp Range Diam. Tige min/max</b>	<b>mm</b>	<b>in</b>	<b>55 - 124</b> 2" 3/16 - 4" 7/8	<b>45 - 360</b> 1" 3/4 - 14" 3/16
<b>Fluid Circulation Pump Pompe de Circulation de Fluide</b>	<b>l/min.</b>	<b>gal/min.</b>	<b>200</b> 52.8	-
<b>Wire-line winch Treuil Wire-line</b>	<b>m</b>	<b>ft</b>	<b>1.800</b> 5,905	-
<b>On Board Compressor Compresseur à bord</b>	<b>Max. Flow</b>	<b>l/sec.</b>	<b>cfm</b>	<b>672</b> 1424
	<b>Max. Pressure</b>	<b>bar</b>	<b>psi</b>	<b>35</b> 507



# CX-T 20

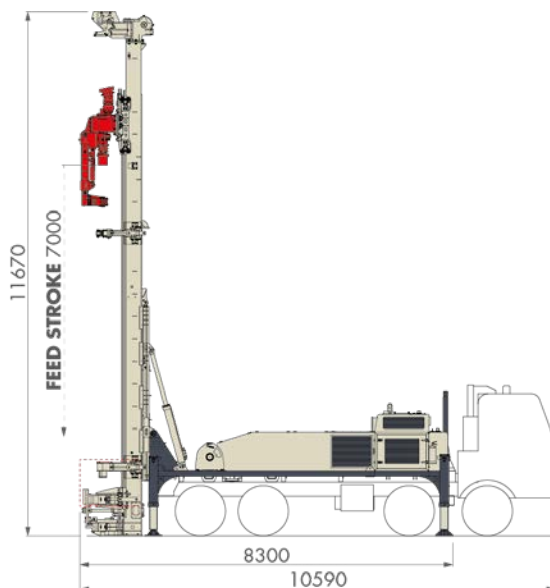


	m.s.	i.s.		
<b>Truck (axles) Camion (châssis)</b>	-	-	<b>6x4 - 6x6 - 8x4 - 8x6 - 8x8 (3/4)</b>	
<b>Engine Power Puissance Moteur</b>	<b>kW</b>	HP	<b>205 - 245</b>	278 - 333
<b>Emission Level Norme d'Émissions</b>	-	-	Stage 3A/Tier 3 - <b>Stage 5 / Tier 4f (HT Line)</b>	
<b>Feed Stroke Course Utile</b>	<b>mm</b>	ft-in	<b>4.000 - 7.000</b>	13' 1" - 22' 12"
<b>Feed Force Force de Poussée</b>	<b>daN</b>	lbs	<b>12.000</b>	26,977
<b>Retract Force Force de Traction</b>	<b>daN</b>	lbs	<b>20.000</b>	44,961
<b>Weight Poids</b>	<b>ton</b>	-	<b>12 - 18</b>	

	m.s.	i.s.	<b>DD</b>	<b>RC</b>
<b>Rotary Torque Range Couple Rotative</b>	<b>Nm</b>	lb*ft	<b>5.365 - 13.600</b> 3,957 - 10,031	<b>13.600 - 27.000</b> 10,031 - 19,914
<b>Rotary Speed Range Vitesse Rotative</b>	<b>rpm</b>		<b>900 - 1.250</b>	<b>220 - 290</b>
<b>Clamp Range Diam. Tige min/max</b>	<b>mm</b>	in	<b>55 - 124</b> 2" 3/16 - 4" 7/8	<b>45 - 360</b> 1" 3/4 - 14" 3/16
<b>Fluid Circulation Pump Pompe de Circulation de Fluide</b>	<b>l/min.</b>	gal/min.	<b>200</b> 52.8	-
<b>Wire-line winch Treuil Wire-line</b>	<b>m</b>	ft	<b>1.800</b> 5,905	-
<b>On Board Compressor Compresseur à bord</b>	<b>Max. Flow</b>	<b>l/sec.</b>	cfm	<b>672</b> 1424
	<b>Max. Pressure</b>	<b>bar</b>	psi	<b>35</b> 507



# CX-T 30



	m.s.	i.s.		
<b>Truck (axles) Camion (châssis)</b>	-	-	<b>6x4 - 6x6 - 8x4 - 8x6 - 8x8 (3/4)</b>	
<b>Engine Power Puissance Moteur</b>	<b>kW</b>	HP	<b>205 - 245</b>	278 - 333
<b>Emission Level Norme d'Émissions</b>	-	-	Stage 3A/Tier 3 - <b>Stage 5 / Tier 4f (HT Line)</b>	
<b>Feed Stroke Course Utile</b>	<b>mm</b>	ft-in	<b>4.000 - 7.000</b>	13' 1" - 22' 12"
<b>Feed Force Force de Poussée</b>	<b>daN</b>	lbs	<b>12.000</b>	26,977
<b>Retract Force Force de Traction</b>	<b>daN</b>	lbs	<b>30.000</b>	67,443
<b>Weight Poids</b>	<b>ton</b>	-	<b>16 - 19</b>	

	m.s.	i.s.	<b>DD</b>	<b>RC</b>
<b>Rotary Torque Range Couple Rotative</b>	<b>Nm</b>	lb*ft	<b>5.365 - 13.600</b> 3,957 - 10,031	<b>13.600 - 27.000</b> 10,031 - 19,914
<b>Rotary Speed Range Vitesse Rotative</b>	<b>rpm</b>		<b>900 - 1.250</b>	<b>110 - 290</b>
<b>Clamp Range Diam. Tige min/max</b>	<b>mm</b>	in	<b>55 - 124</b> 2" 3/16 - 4" 7/8	<b>45 - 360</b> 1" 3/4 - 14" 3/16
<b>Fluid Circulation Pump Pompe de Circulation de Fluide</b>	<b>l/min.</b>	gal/min.	<b>200</b> 52.8	-
<b>Wire-line winch Treuil Wire-line</b>	<b>m</b>	ft	<b>2.600</b> 8,530	-
<b>On Board Compressor Compresseur à bord</b>	<b>Max. Flow</b>	<b>l/sec.</b>	cfm	<b>672</b> 1424
	<b>Max. Pressure</b>	<b>bar</b>	psi	<b>35</b> 507







## **EXPLORATION DRILLING EQUIPMENT**



Comacchio S.p.A.  
Via Callalta, 24/B  
31039 Riese Pio X (Tv) Italy  
T +39 0423 7585  
F + 39 0423 755592  
sales@comacchio.com

**comacchio.com**