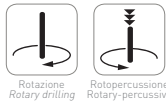
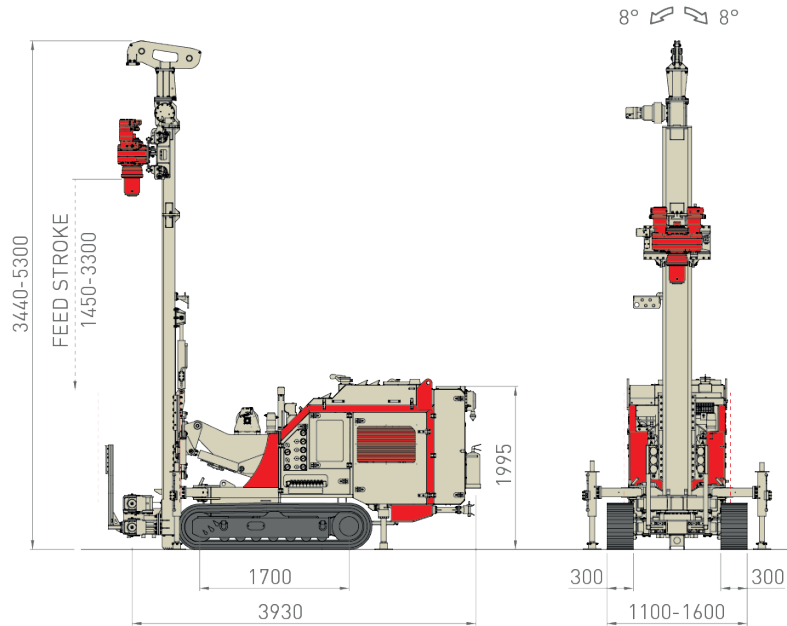




# MC 6V



	m.s.	i.s.		
Potenza Motore Engine Power	kW	HP	100	134
Livello Emissioni Emission Level	<b>Step 4 / Tier 4f (HT Line)</b>			
Corsa Mast Mast Feed Stroke	mm	ft	1.450 - 3.300	4.7 - 10.8
Forza di Spinta Feed Force	daN	lbs	5.000	11,240
Forza di Tiro Retract Force	daN	lbs	5.000	11,240
Coppia Rotary Rotary Torque Range	daNm	lb*ft	450- 2.325	3,319- 17,148
Giri Rotary Rotary Speed Range	rpm		80 - 210	
Serraggio Morse Clamp Range	mm	in	45 - 325	1.8 - 12.8
Peso Perforatrice Rig Weight	kg	lbs	5.800 - 6.000	12,700 - 13,200



Specifications shown are only indicative and subjected to change without prior notice

This is a simplified data sheet that does not show all possible rig configurations. For further information [click here](#).